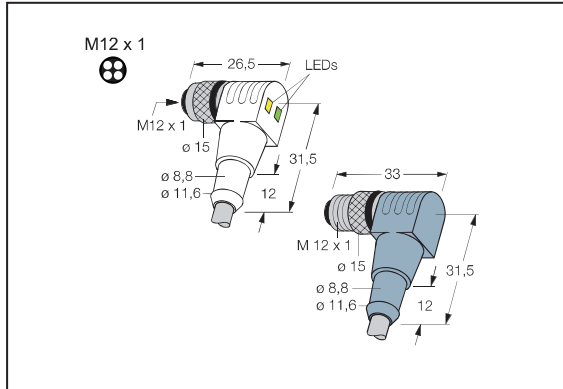


# 3-Pin, M12 Extension Cable , With 2 LED

## ZZAK4P2-2-ZZAS4/PVC



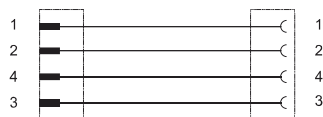
- Male , 4-pin, Angle
- Female , 4-pin, Angle ,With 2 LED
- Protection class: IP67
- Cable material: PVC
- Cable length: 2m

### Technical parameter

#### Electrical parameter

Rated voltage	10...30VDC	
Rated current	4A	
Insulation resistance	≥10 <sup>9</sup> Ω	
Noise impedance	≤5mΩ	
Ambient temperature range	Connector[°C]	-30...90°C
	Cable[°C]	-40...80°C
Core cross-section	0.25 (32x0.1) mm <sup>2</sup>	
Cable diameter	5.25mm	
Cable color	Gray	
Contacts	Metal, CuZn, Gold-plated	
Type of protection	IP67, (screwed together)	
Connector body	Plastic,TPU	
Seal	Viton (FPM)	
Mechanical lifespan	> 100 Mating cycles	

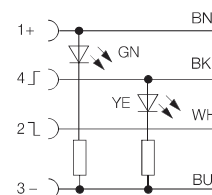
### Wiring diagram



M12 Circuit Diagram



Color	Female
BN	1
WH	2
BK	4
BU	3



With 2 LED lights, suitable for PNP sensor