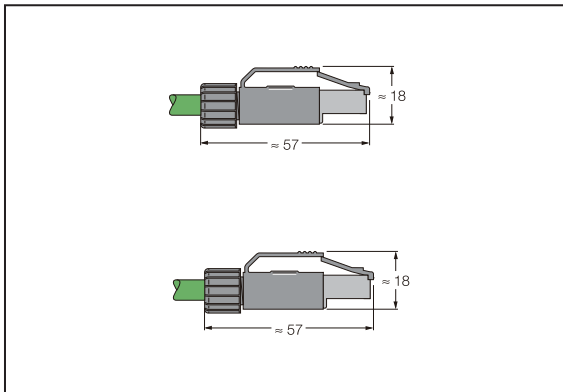


Industrial Ethernet Cable

RJ45-10-RJ45/PVC/PN/FLEX



- Meet ISO、IEC11801(Cat.5), TIA/EIA-568-C.2(CAT.5e) Standards
- RJ45 male connector, straight, 4-pin
- RJ45 male connector, straight, 4-pin
- Jacket color: green
- Jacket material: PVC
- Cable length: 10 m

Technical parameter

Electrical parameter

Cable diameter	6.5mm
Cable jacket	PVC
Jacket color	Green
Core cross-section	1x2x22AWG
Shielding	Aluminum foil, tinned copper wire
Connector A	RJ45, straight,
Number of Pins	4
Contacts	Metal, CuZn, Gold-plated
Connector body	Plastic, TPU
protection class	IP20
Connector B	RJ45, straight,
Number of Pins	4
Contacts	Metal, CuZn, Gold-plated
Connector body	Plastic, TPU
protection class	IP20
Mechanical lifespan	> 100 Mating cycles

Wiring diagram

RJ45 Pin assignment	RJ45
1. YE	
2. OG	
3. WH	
4. N/C	
5. N/C	
6. BU	
7. N/C	
8. N/C	