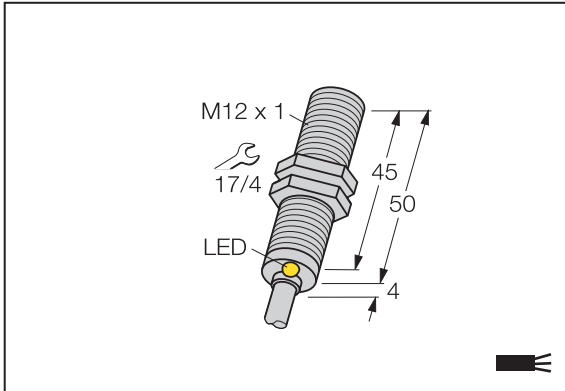


电感式接近开关 Inductive sensor

EL04X-12YP-AP6-C2



Type EL04X-12YP-AP6-C2
Ident No. 10504031

- Threaded barrel, M12x1
- Chrome-plated brass
- 3-wire, 10...30VDC
- cable

技术参数

Technical parameter

电气参数 electrical parameter

Rated switching distance S_n	4 mm
Assured switching distance S_r	$\leq (0.81 \times S_n)$ mm
Mounting conditions	flush
Operating voltage	10...30 VDC
Pulsating voltage	$\leq 20\%$
DC rated operational current	≤ 100 mA
No-load current	≤ 10 mA
Voltage drop at I_e	≤ 2 V
Repeatability	$\leq 5\%$ S_r
Hysteresis	3...15% S_r
Temperature drift	$\leq \pm 10\%$
Switching frequency	1000 Hz
Output function	3-wire PNP, NO
Short-circuit protection	yes
Reverse polarity protection	yes
Switching state	LED, yellow
Vibration resistance	55 Hz (1 mm)
Shock resistance	30g (11 ms)
IP rating	IP67
Certification	CE

机械参数 mechanical parameter

Dimension	M12x1
Housing material	metal, CuZn-Cr
Material active area	PBT
End cap	PA
Max. tightening torque housing nut	25 Nm
Connection	cable
Cable quality	PVC, 2m
Cable cross section	3 x 0.34 mm ²
Ambient temperature	-25...70°C

接线图

Wiring diagram

